




TELSTRA SMART CITY PAYPHONES: TOWN OF CAMBRIDGE SITE LIST

CabID	Address	Latitude	Longitude	Zone
08938715X2	292 CAMBRIDGE ST	-31.940689	115.81549	No Zone
08938720X2	440 CAMBRIDGE ST	-31.940717	115.801638	No Zone
08938719X2	350 CAMBRIDGE ST	-31.940701	115.809532	No Zone






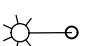




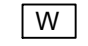


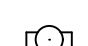
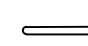

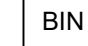

Cab ID: 08938715X2		 JCDecaux Australia Pty Ltd Units 2 & 3, 182 -190 Euston Road, Alexandria NSW 2015 T: 02 9557 6555 F: 02 9557 6982	PROJECT TITLE	TOWN OF CAMBRIDGE TELSTRA PAYPHONE	DATE	09/04/18	Issue	A	MOVE 200 mm TOWARD KERB. SITE REVISIT, CONFIRMED FOOTPATH WIDTH, ADDED STREET & PUBLIC FEATURES.	Date	7/12/2018 22/02/2019	Drawn	AC AC
Main Street: 292 Cambridge St, Wembley WA 6014			DESIGN	JCDECAUX	SCALE	1:100 (A3 Full Bleed)		B					
Before/ After / Outside / Opp: AFTER NANSON ST			© This drawing and design is protected by copyright and may not be copied or used without the written approval of JCDecaux Australia Pty Ltd	DRAWN	KS								
Road Direction: EB			JCDECAUX ASSET NO:	REVISION	B								
GPS Info:	Latitude: -31.94069 Longitude: 115.81549	<input checked="" type="checkbox"/> ADBOOTH <input type="checkbox"/> TON <input type="checkbox"/> TELSTRA	<input type="checkbox"/> NO RELOCATION <input checked="" type="checkbox"/> < 10 m RELOCATION <input type="checkbox"/> >200 m / GREENFIELD <input type="checkbox"/> >10 <200 m RELOCATION	SURVEY NO.	WA-TOC-001								

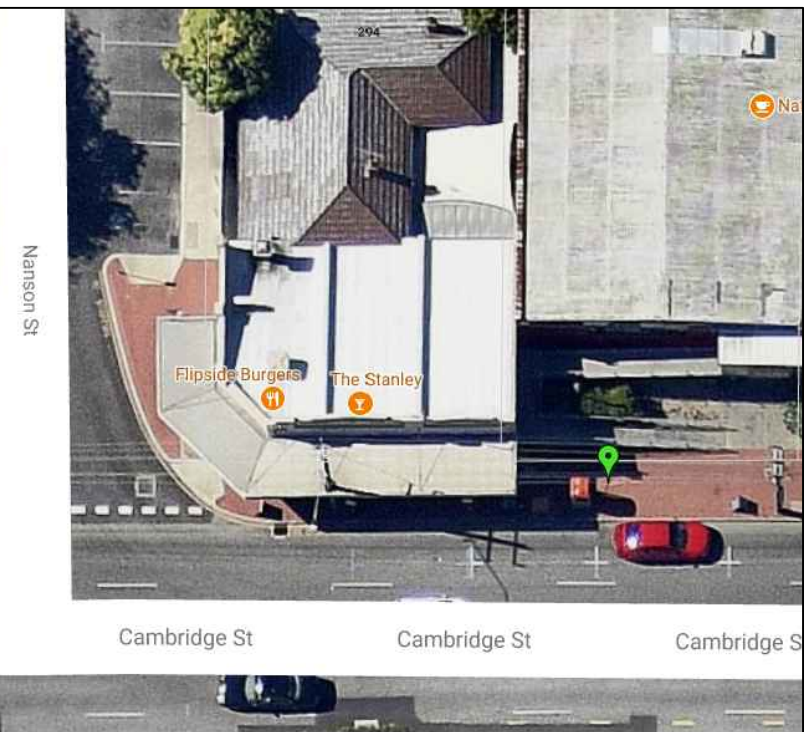
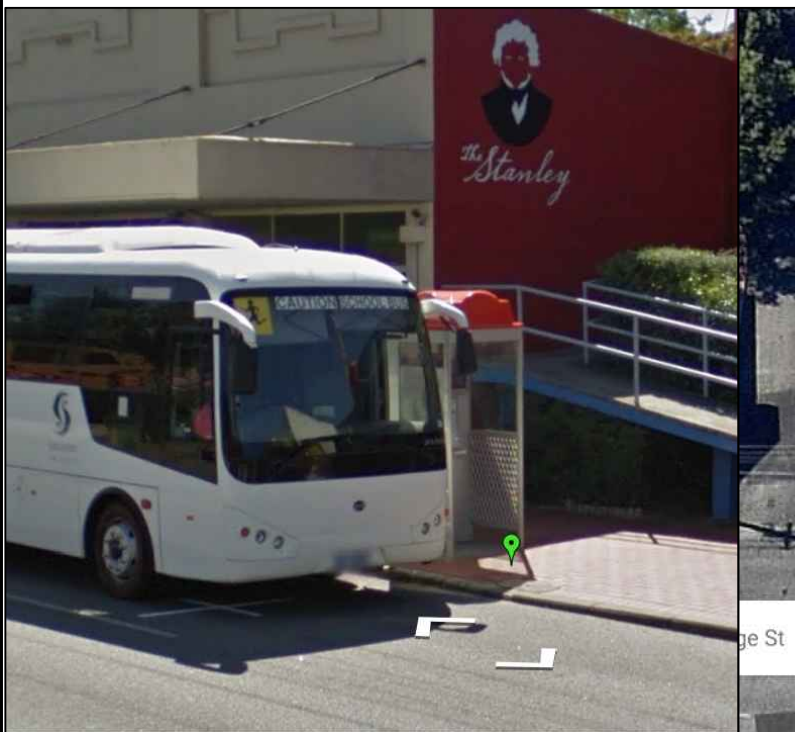
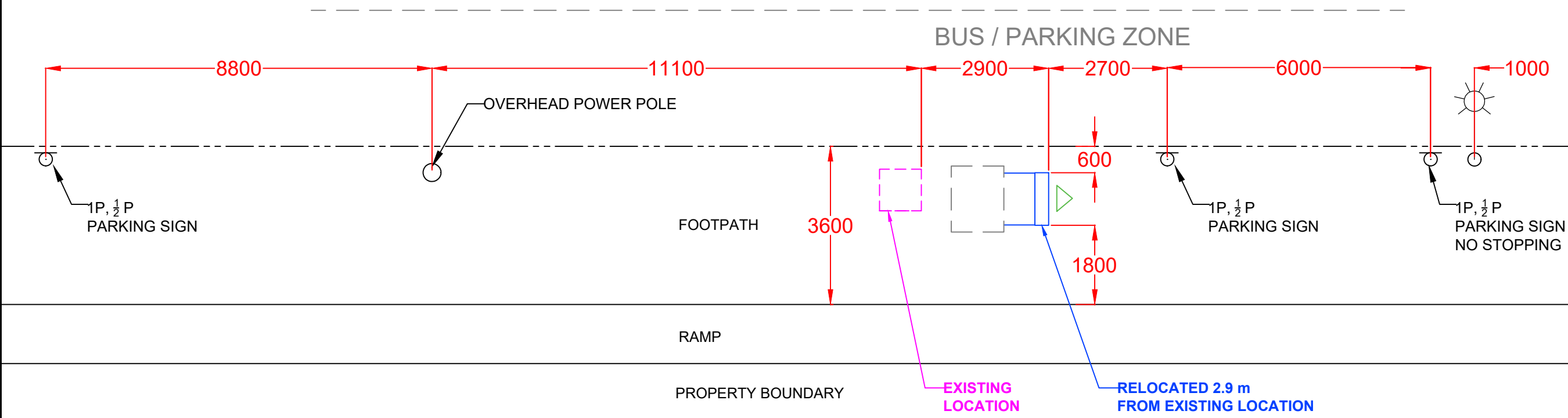
Note:

- All dimensions are in millimetres
- Dimensions are estimated and should be used only as indication.
- Construction to be undertaken in accordance with the requirements of AS1428.1-4 Design for Access and Mobility
- All works shall comply with the ACCESSIBILITY OF PAYPHONES INDUSTRY GUIDELINE 2006



LEGEND

	NEW PAYPHONE BOOTH L 1019 x W 1200 mm
	EXISTING BOOTH 950 x 950 mm
	EXCLUSION ZONE 1200 X 1500 mm
	TREE
	POWER POLE
	LIGHT POLE
	COMMS PIT
	POWER PIT
	ELECTRICITY PILLAR
	GAS PIT
	WATER PIT
	TRAFFIC LIGHT
	SIGN POST
	FIRE HYDRANT
	BIKE RACK
	GRASS / NATURE
	BIN
	SEAT



Reinstatement:	Asphalt	Concrete	Slab
CHECKED AND SIGNED OFF BY-			

Cab ID: 08938720X2
 Main Street: 440 Cambridge St Floreat WA 6014
 -
 Before/ After / Outside / Opp: Birkdale St
 Road Direction: EB
 GPS Info: Latitude: -31.940717 Longitude: 115.801638

JCDecaux Australia Pty Ltd
 Units 2 & 3, 182 -190 Euston Road,
 Alexandria NSW 2015
 T: 02 9557 6555
 F: 02 9557 6982

ADBOOTH TON TELSTRA

PROJECT TITLE: TOWN OF CAMBRIDGE
 TELSTRA DIGITAL

© This drawing and design is protected by copyright and may not be copied or used without the written approval of JCDecaux Australia Pty Ltd

JCDECAUX ASSET NO:

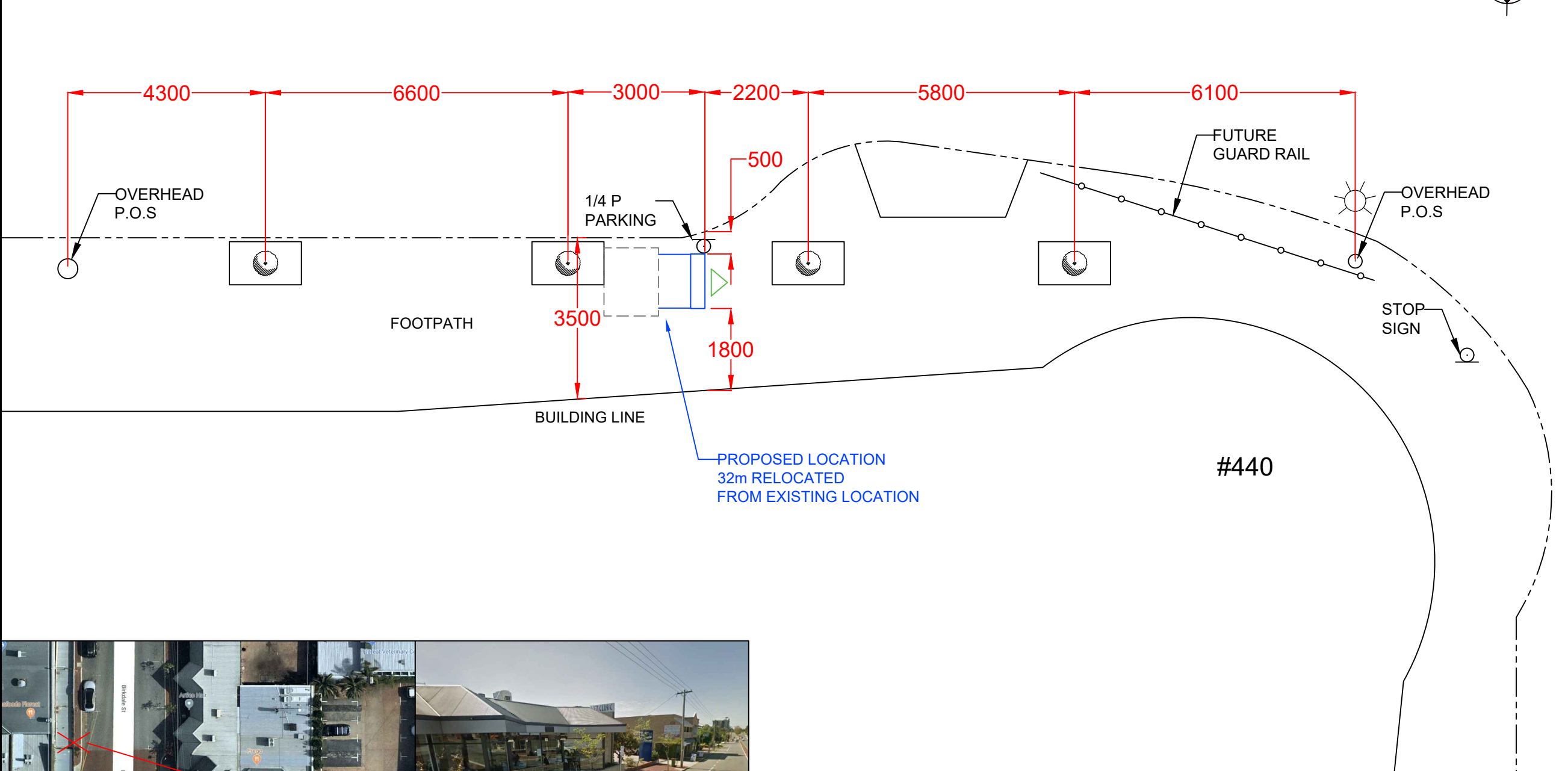
NO RELOCATION < 10 m RELOCATION
 >200 m / GREENFIELD >10 <200 m RELOCATION

DATE	13/04/2018	Issue	Description	Date	Drawn
SCALE	1:100 (A3 Full Bleed)	-	PRELIMINARY SITE SURVEY	13/04/2018	DE
DESIGN	JCDECAUX	A	Corrected GPS coordinates.	22/06/2018	AC
DRAWN	DE	B	Update: address, compass	30/07/2018	AC
REVISION	C	C	Town recommendation	9/10/2018	AC
SURVEY NO.	WA-TOC-002				

Note:

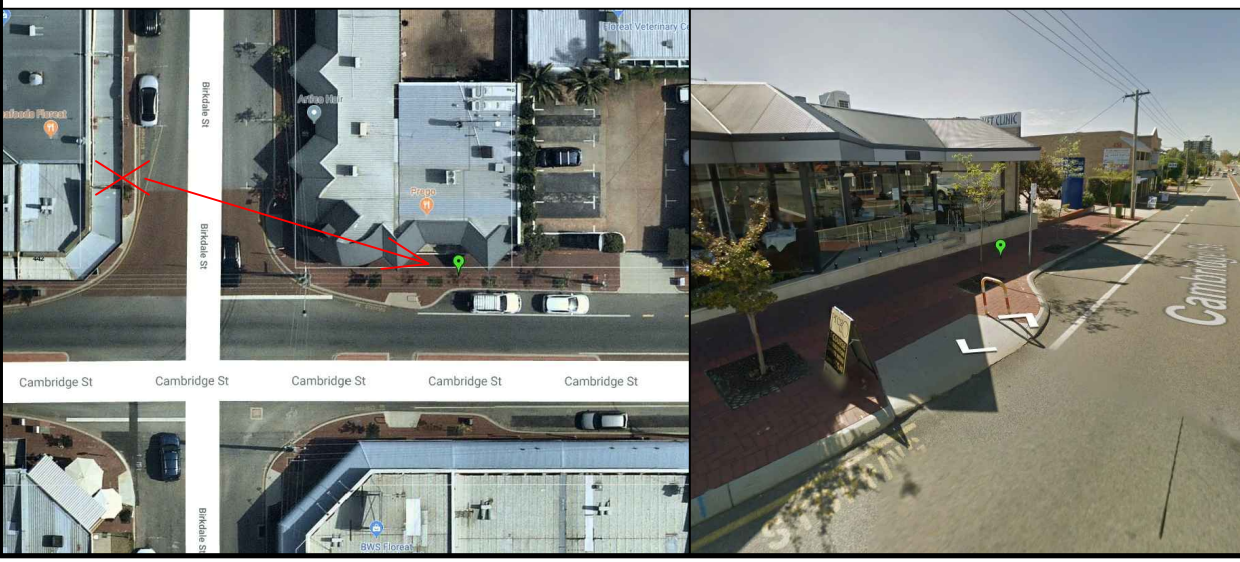
- All dimensions are in millimetres
- Dimensions are estimated and should be used only as indication.
- Construction to be undertaken in accordance with the requirements of AS1428.1-4 Design for Access and Mobility
- All works shall comply with the ACCESSIBILITY OF PAYPHONES INDUSTRY GUIDELINE 2006

- Relocated from: 117 Birkdale St Floreat (-31.940536, 115.801308)



LEGEND

- AD DIRECTION
- NEW DIGITAL BOOTH L 1019 x W 1200 mm
- EXISTING BOOTH 900 x 900 mm
- EXCLUSION ZONE 1200 X 1500 mm
- TREE
- POWER POLE
- LIGHT POLE
- TP COMMS PIT
- PP POWER PIT
- EP ELECTRICITY PILLAR
- G GAS PIT
- W WATER PIT
- TRAFFIC LIGHT
- SIGN POST
- FIRE HYDRANT
- BIKE RACK
- GRASS / NATURE
- BIN
- SEAT



Reinstatement:

Asphalt	Brick	Concrete	Concrete paving
Specialist paving:		Blue stone	Green granite
Unmade	Other:		

Checked / Signature: _____

Powerline arrangement:

- Overhead
- Underground

